

TECHNICAL SHEET

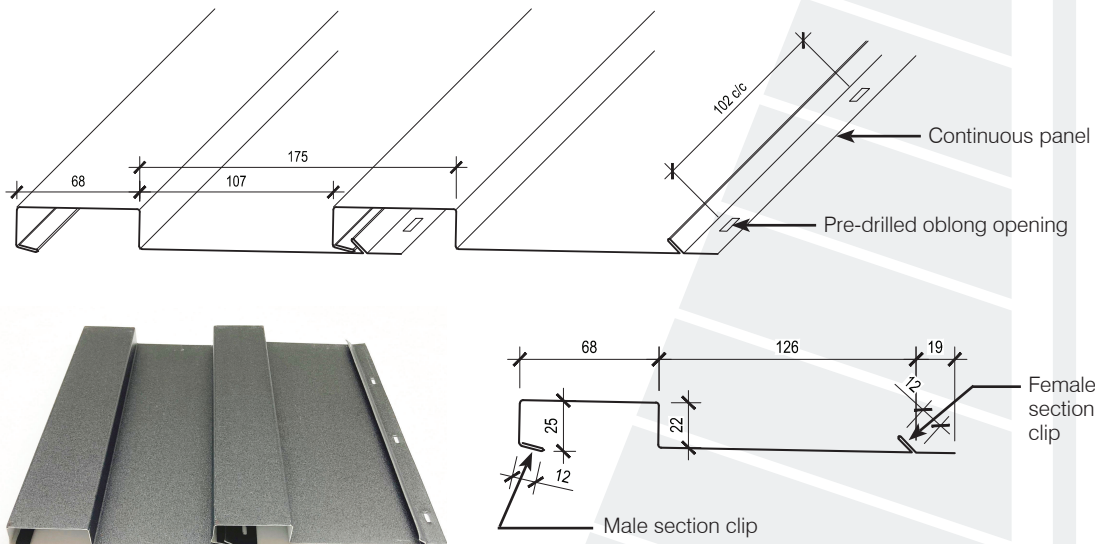
BOARD'N BATTEN METAL CLADDING



DESCRIPTION

Board'n Batten metal wall cladding system is a vertical cladding imitating the traditional wood cladding.

The wall cladding is profiled with not visible joints or fastenings.



APPLICATION

Each wall cladding panel is installed in a vertical position and anchored with appropriate 25 mm (1 in.) screws at distances ranging from 400 to 600 mm (16 to 24 in.), adapted to the framing configuration and the specific needs of its location. One longitudinal side of the panel is provided with a continuous, pre-drilled fastener plate at 102 mm (4 in.) centers, as well as the female section of the clip. The pre-drilled openings are oblong to allow thermal movement of the cladding. The other longitudinal side of the panel is double folded to make the male section of the continuous staple.

MATERIALS

Metal shingle :

- ♦ Textured pre-painted steel : 25-gauge (0.556 mm or 0.0219 in.), specially formulated for Vaillancourt.

TECHNICAL SHEET

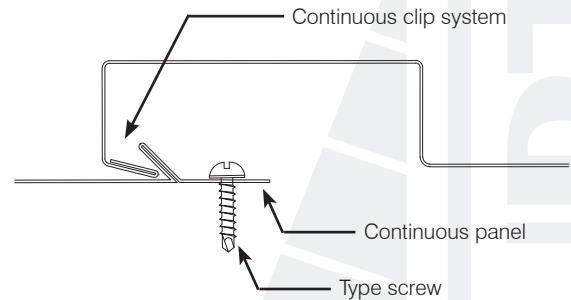
BOARD'N BATTEN

METAL CLADDING



FIXING

- ◆ Concealed fastener design.
- ◆ Screw recommended by Vaillancourt for this type of application: 25 mm (1 in.) galvanized steel #10 gauge (4.72 mm or 0.186 in.) with low-profile pancake head 11 mm (0.435 in.) diameter.

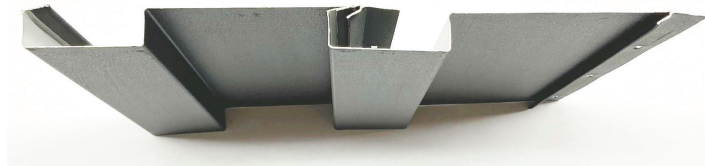
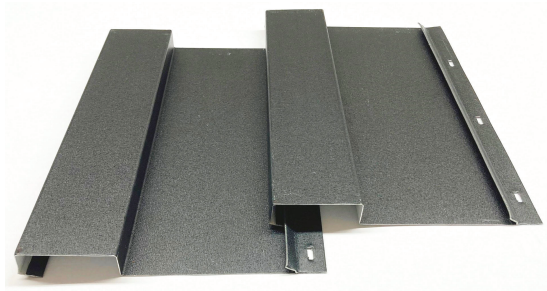


INSTALLATION

Wall cladding must be installed vertically on a solid substrate attached to the exterior wall structure.

Panels interlock using a continuous male/female staple system. Panels can be anchored to a plywood panel (min. thickness 12.7 mm) or to sub-frames such as wood furring, metal furring or «Z» bars.

Note : The spacing and sizing of the sub-girts must be validated by a structural engineer according to the physical properties of the panel and its maximum permissible loads.



DIMENSIONS

Width :

Available in one width only :

- ◆ Total: 213 mm (8 3/8 in.)
- ◆ Exposed, visible: 175 mm (6 7/8 in.)

Length :

- ◆ Minimum : 225 mm (9 in.)
- ◆ Maximum: 12.2 m (40 ft)

TECHNICAL SHEET

BOARD'N BATTEN

METAL CLADDING



COLOR

Coating is available according to :

- ◆ Perspectra Plus MD standard color chart (Arcelor Mittal Dofasco).
- ◆ The Vaillancourt textured color chart selected from the range of colors «Wrinkle SMP textured» from supplier Baycoat :

QC 9798 : Sepia brown



QC 9822 : Ebony



QC 9821 : Graphite



QC 9999 : Deep gray



Note : The colors shown above are for information and comparison purposes only and cannot be used as is. Please contact your Vaillancourt representative for any sample request or additional technical information.

Non-standard colors as well as those in the CoolR Environmentally Smart Colors and Metallic Series are subject to minimum quantities and delivery times.

WARRANTY

Installation : 10 years (when installed by Vaillancourt).

Materials : 40 years.