

# TECHNICAL SHEET

## ROOF MOLDINGS



### DESCRIPTION

All Vaillancourt metal moldings are specially shaped to be installed with the architectural type of the roof (traditional style).

The shaping of the moldings was developed in order to respect traditional methods and to obtain joints without visible fixing.

The moldings are made from the same type of material used for roofing :

- Galvanized steel (24 or 26 gauge)
- Galvalume® steel (24 or 26 gauge)
- Prepainted (24 or 26 gauge)
- Copper (16 oz or 20 oz)

All moldings are available in a standard length of 10 feet (3.05 m).

### Metal roof moldings:

<input type="checkbox"/> Starter with crimped edge .....	page 2
<input type="checkbox"/> Side with crimped edge .....	page 2
<input type="checkbox"/> Fascia .....	page 3
<input type="checkbox"/> Valley.....	page 4
<input type="checkbox"/> Slope change .....	page 5
<input type="checkbox"/> Wall-roof with S-joint.....	page 6
<input type="checkbox"/> Wall-roof with S-joint with crimped edge .....	page 6
<input type="checkbox"/> Wall-roof with S-joint with drip .....	page 6
<input type="checkbox"/> Standard ridge.....	page 7
<input type="checkbox"/> Peak ridge.....	page 8
<input type="checkbox"/> Ventilated ridge.....	page 9
<input type="checkbox"/> Standard Mansard.....	page 10
<input type="checkbox"/> Mansard with bull nose .....	page 10
<input type="checkbox"/> Ventilated Mansard.....	page 11
Traditional method for typical closure of integrated crimp .....	page 12

# TECHNICAL SHEET

## ROOF MOLDINGS

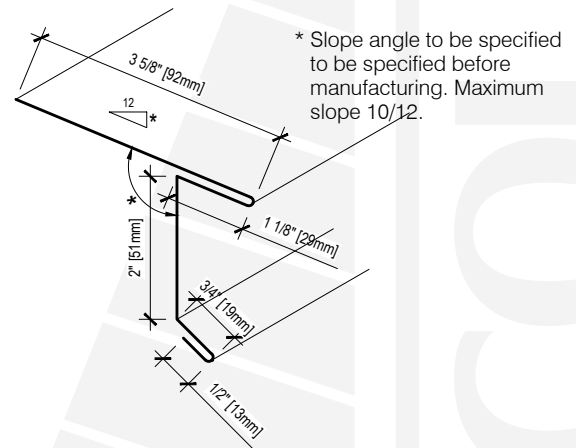
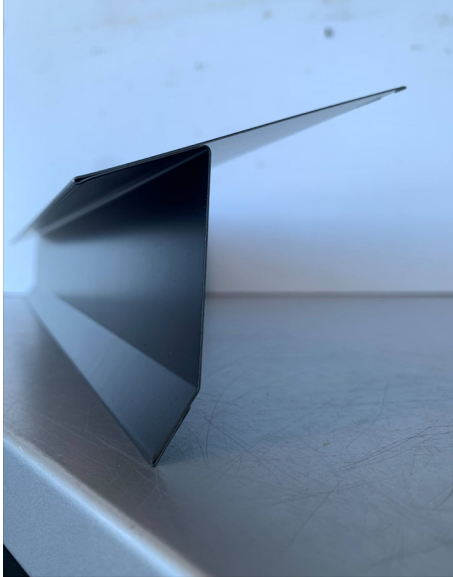


### STARTER AND SIDE MOLDING

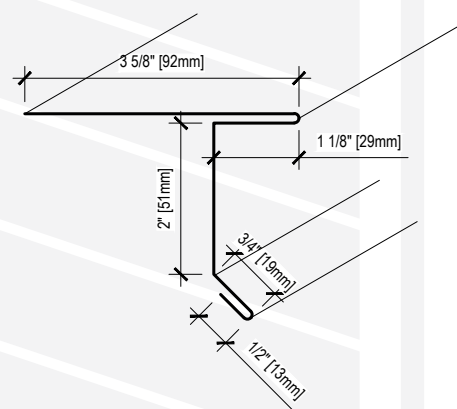
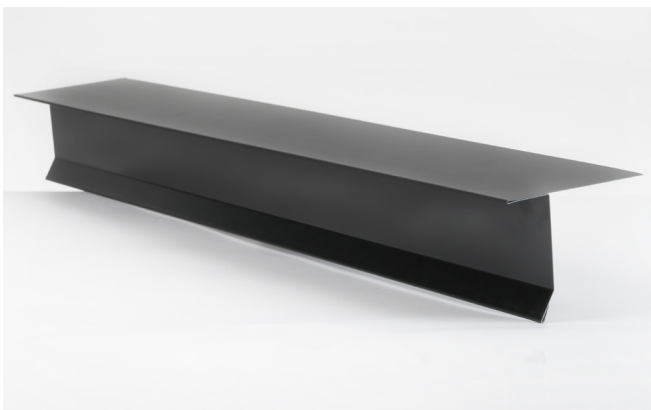
#### DESCRIPTION

Starter metal moldings for the bottom of the slope and for the edge of the roof.

#### STARTER MOLDING WITH CRIMPED EDGE



#### SIDE MOLDING WITH CRIMPED EDGE



# TECHNICAL SHEET

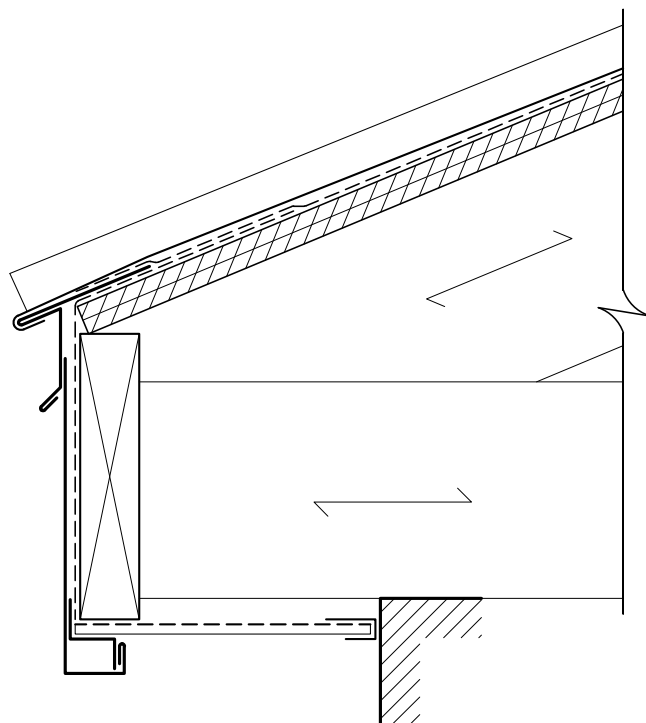
## ROOF MOLDINGS



### FASCIA

#### DESCRIPTION

Vaillancourt-type fascia metal molding shaped with interlocking and concealed fasteners.



CRIMPED FASCIA WITHOUT EXPOSED FASTENERS



# TECHNICAL SHEET

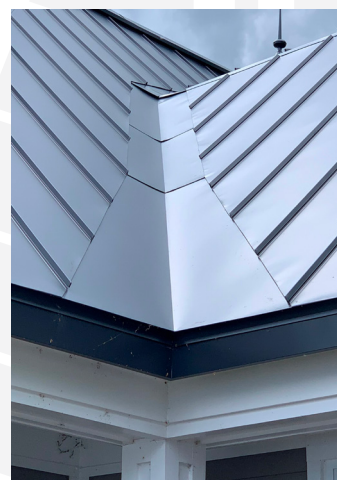
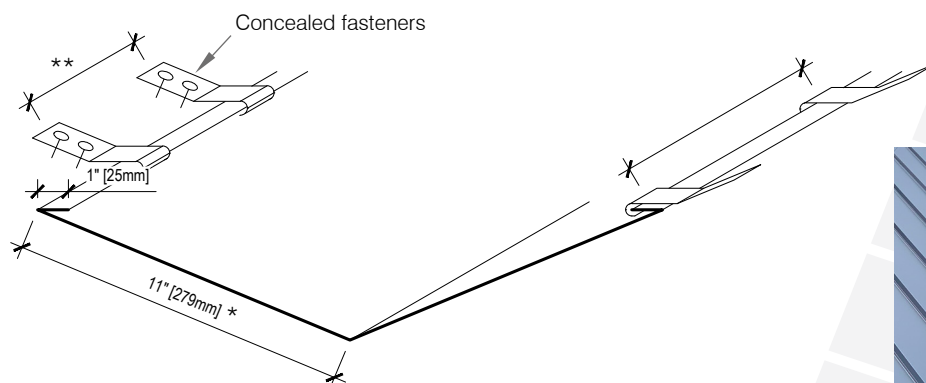
## ROOF MOLDINGS



### VALLEY MOLDING

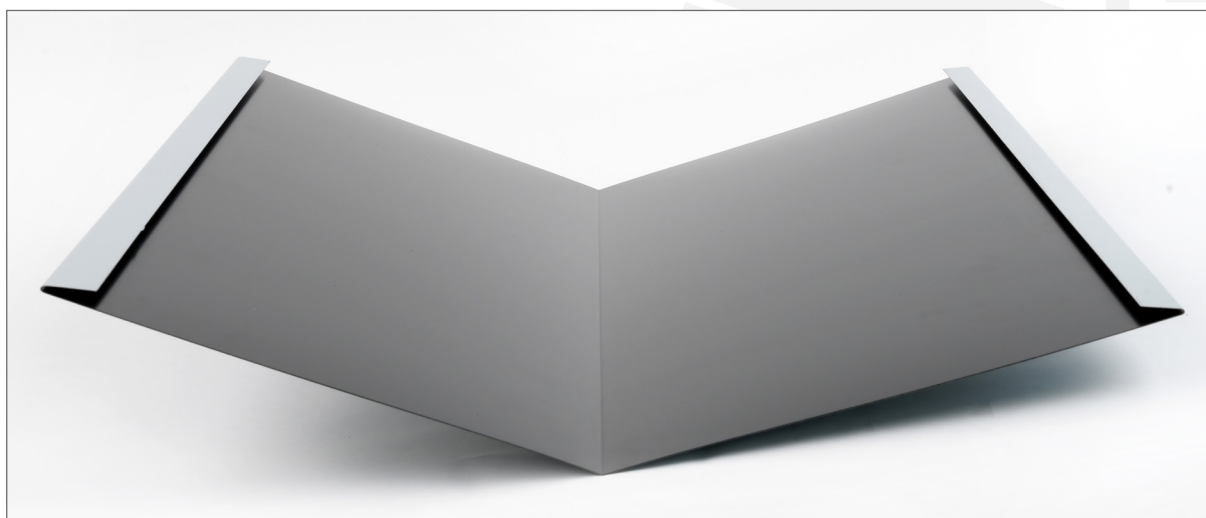
#### DESCRIPTION

Metal molding for valleys, at the junction between two slopes. The molding is shaped with a crimped edge to staple the roof, all with concealed fasteners.



\* Uniform standard dimensions.  
Also available in variable dimensions, lower part wider than the upper part, for better ice evacuation, see photo.

\*\* Spacing to be validated by the manufacturer.



# TECHNICAL SHEET

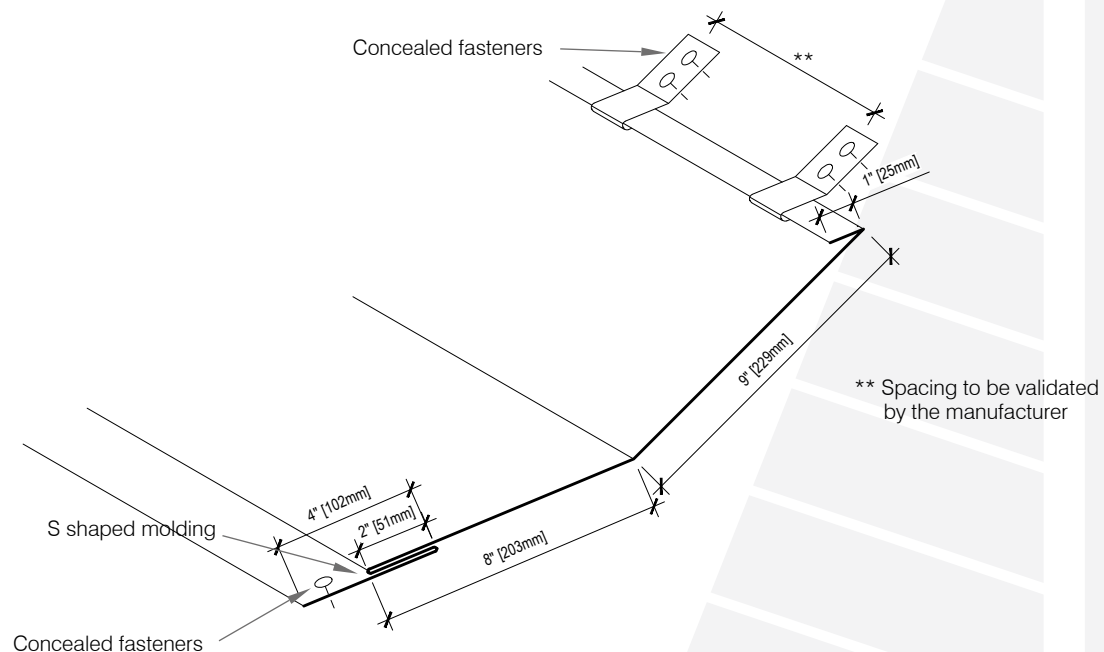
## ROOF MOLDINGS



### SLOPE CHANGE MOLDING

#### DESCRIPTION

Molding shaped for slope change with lower S joint and upper crimp, all with concealed fasteners.



# TECHNICAL SHEET ROOF MOLDINGS

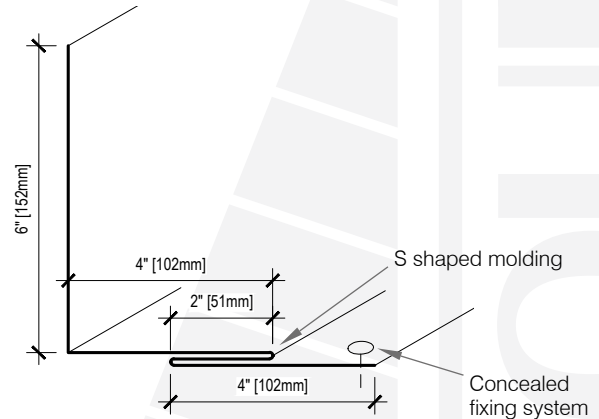


## WALL-ROOF MOLDING

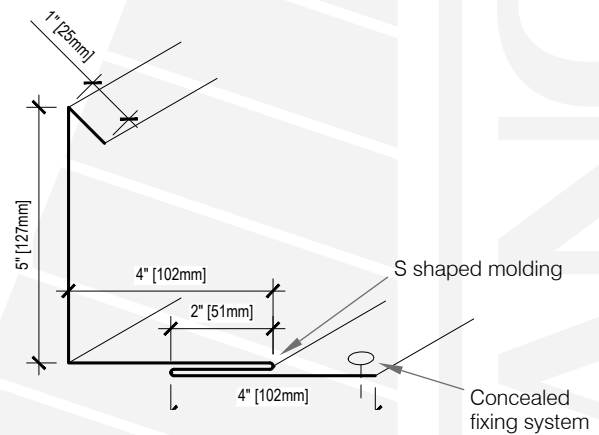
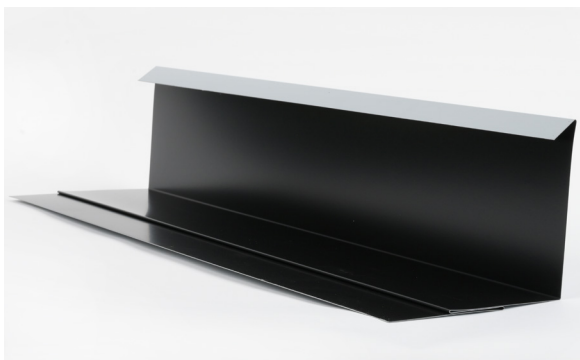
### DESCRIPTION

Metal molding for various wall-roof junctions with bottom S joints and top designed for the appropriate wall type.

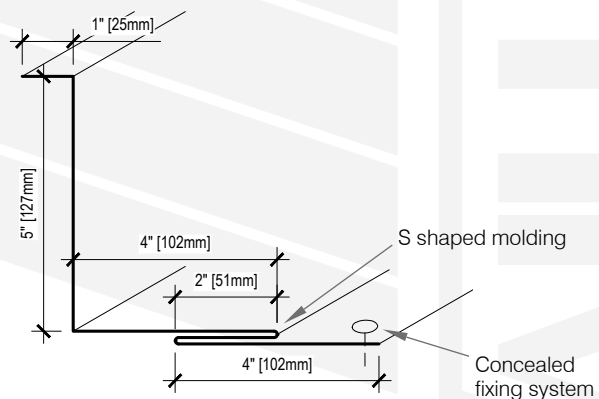
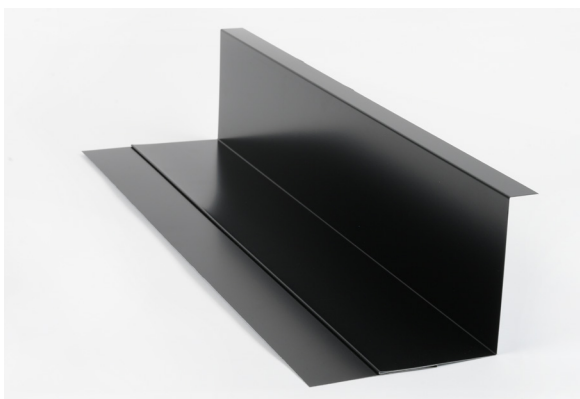
### WALL-ROOF WITH S-JOINT



### WALL-ROOF WITH S-JOINT WITH CRIMP



### WALL-ROOF WITH S-JOINT WITH DRIP



# TECHNICAL SHEET

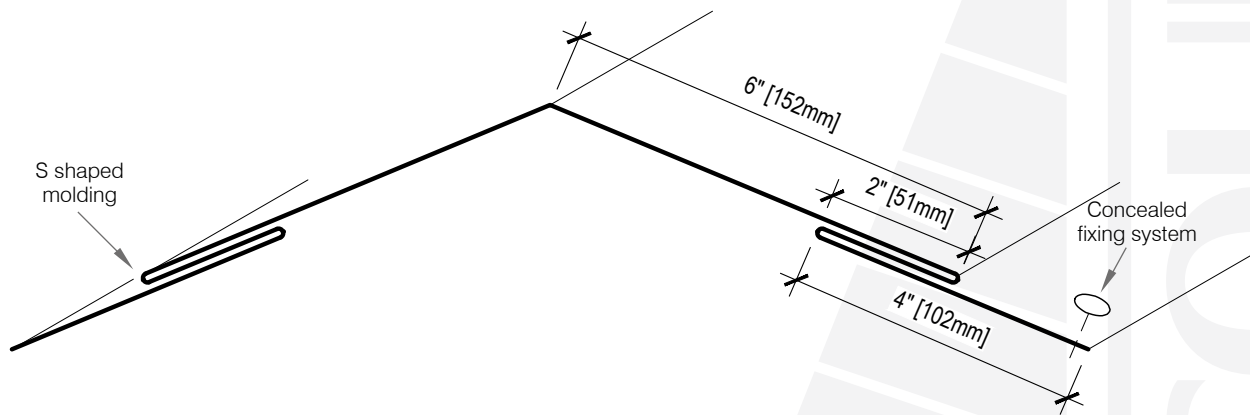
## ROOF MOLDINGS



### STANDARD RIDGE

#### DESCRIPTION

Standard Vaillancourt flat ridge, non-ventilated, with S joint and concealed fasteners.



# TECHNICAL SHEET

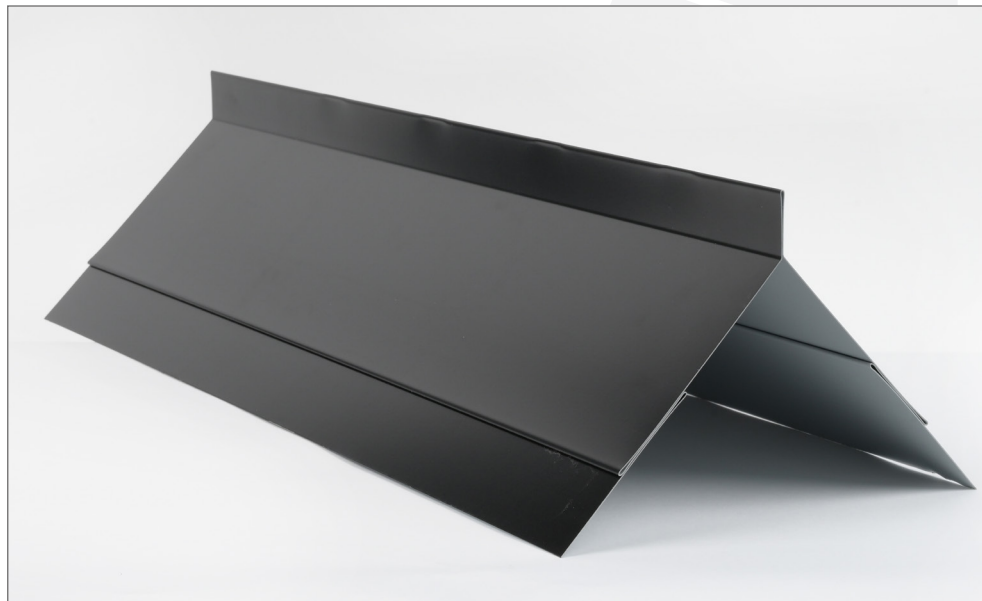
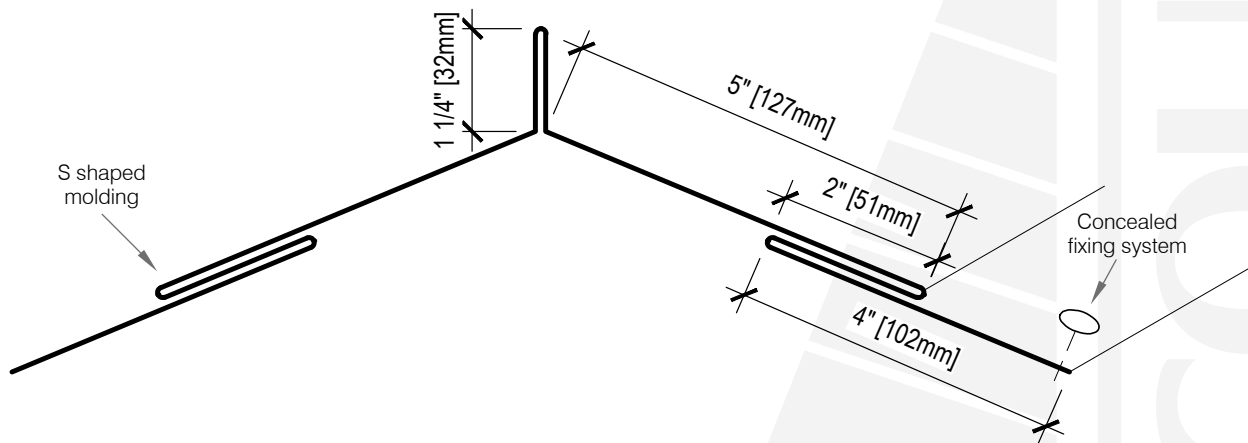
## ROOF MOLDINGS



### PEAK RIDGE

#### DESCRIPTION

Reinforced ridge for snowfall such as the Vaillancourt peak model, not ventilated, with S joint and concealed hangers. These peak ridges add an essential aesthetic detail.





# TECHNICAL SHEET

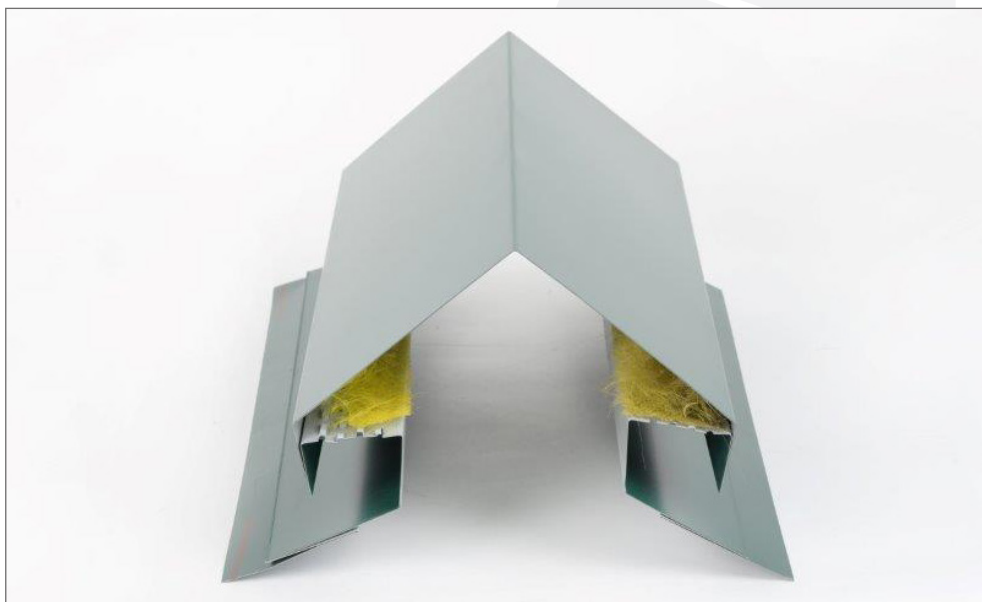
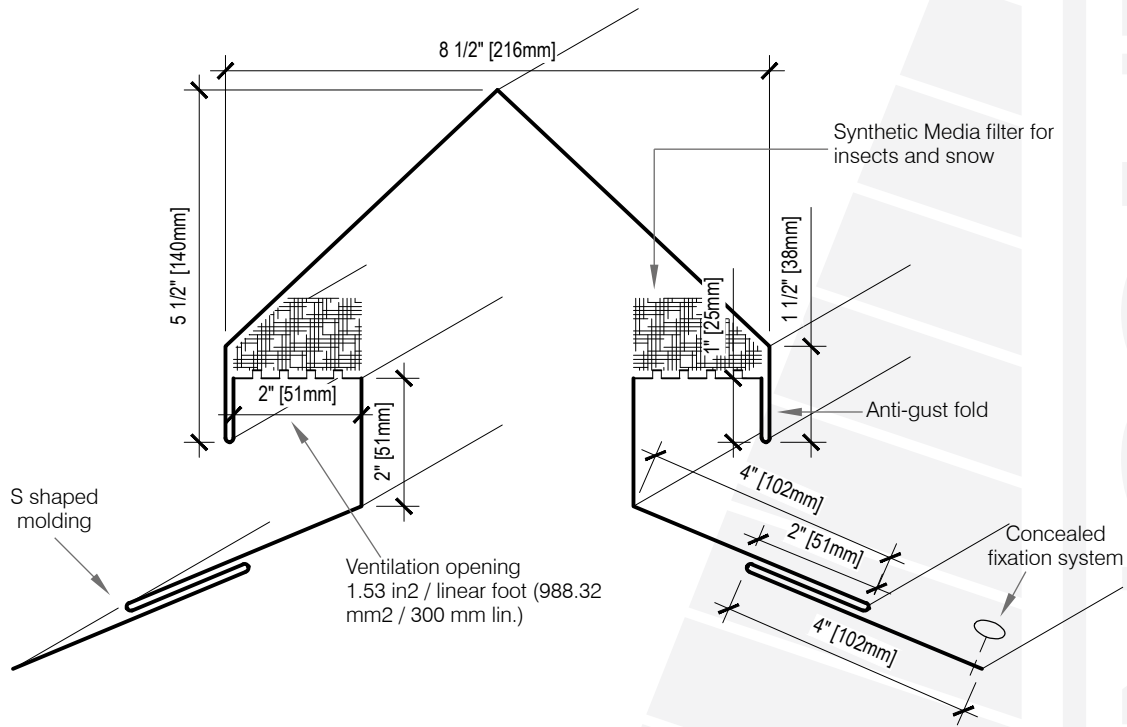
## ROOF MOLDINGS



### VENTILATED RIDGE

#### DESCRIPTION

Vaillancourt ventilated ridges were designed to perfectly match the angle of the roof with a Media filter, anti-gust folds, S joints and concealed fasteners.



# TECHNICAL SHEET

## ROOF MOLDINGS



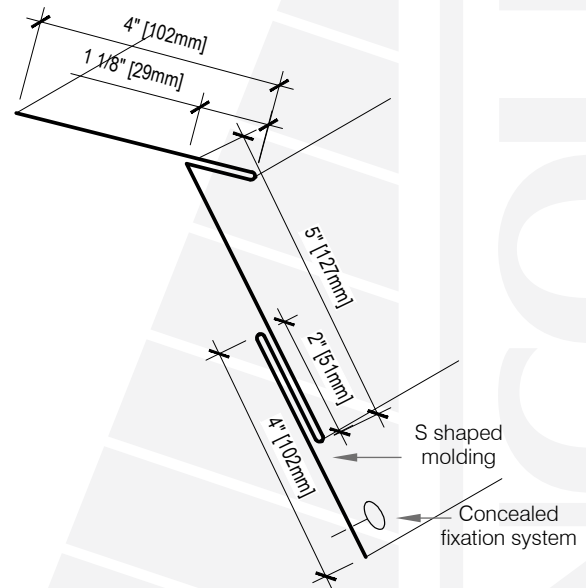
### MANSARD MOLDING

#### DESCRIPTION

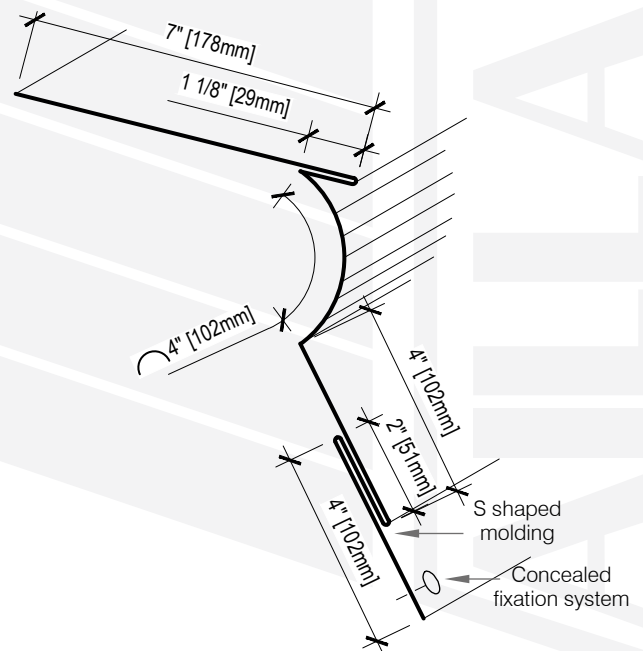
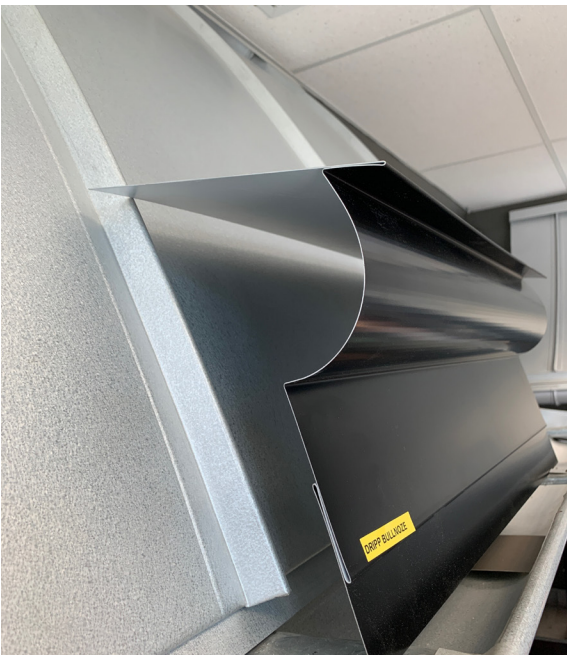
Metal moldings for mansard roofs shaped to make the transition between the slate deck and the roof break. With S joints and concealed fasteners.

The molding can adapt to different slope angles.

#### STANDARD MANSARD



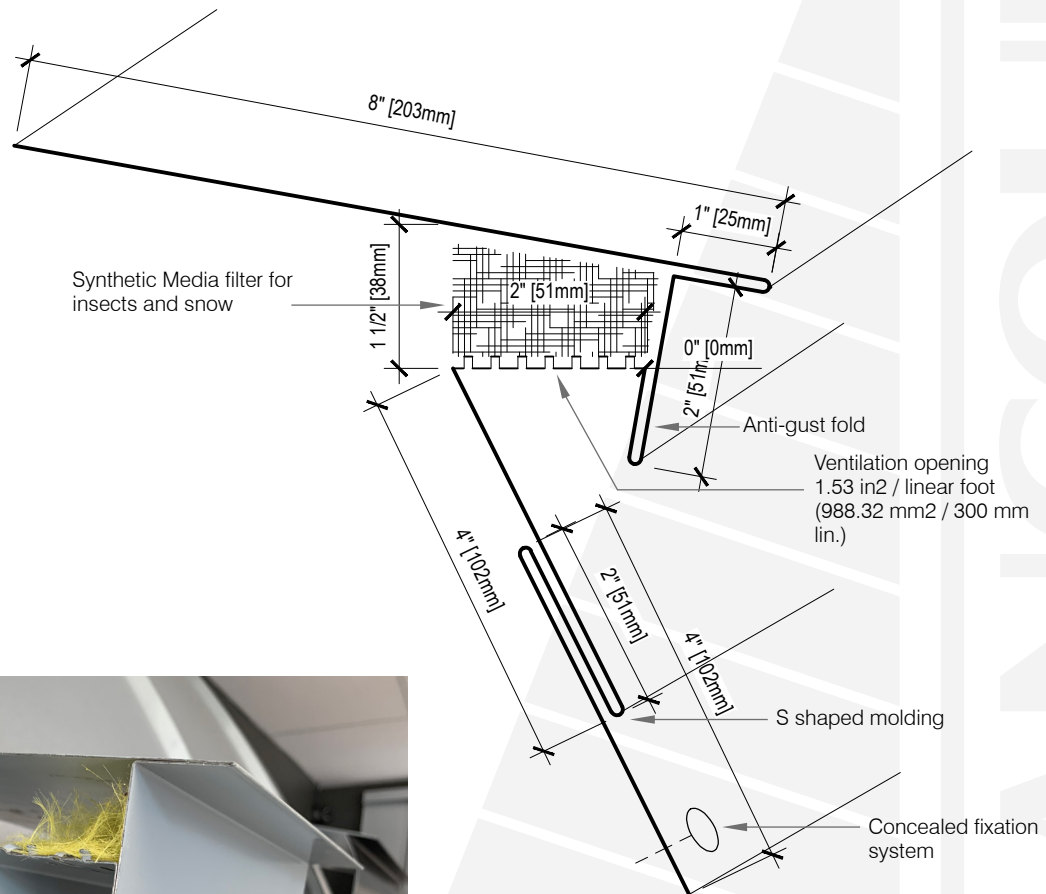
#### BULL NOSE MANSARD



## VENTILATED MANSARD

### DESCRIPTION

Ventilated metal molding for mansard roofs shaped to make the transition between the slate deck and the roof break. With Media filter, anti-gust folds, S joints and concealed fasteners. The molding can adapt to different slope angles.



# TECHNICAL SHEET

## ROOF MOLDINGS



### CLOSURE OF INTEGRATED CRIMPS

#### LOWER PART

Follow these steps :

