

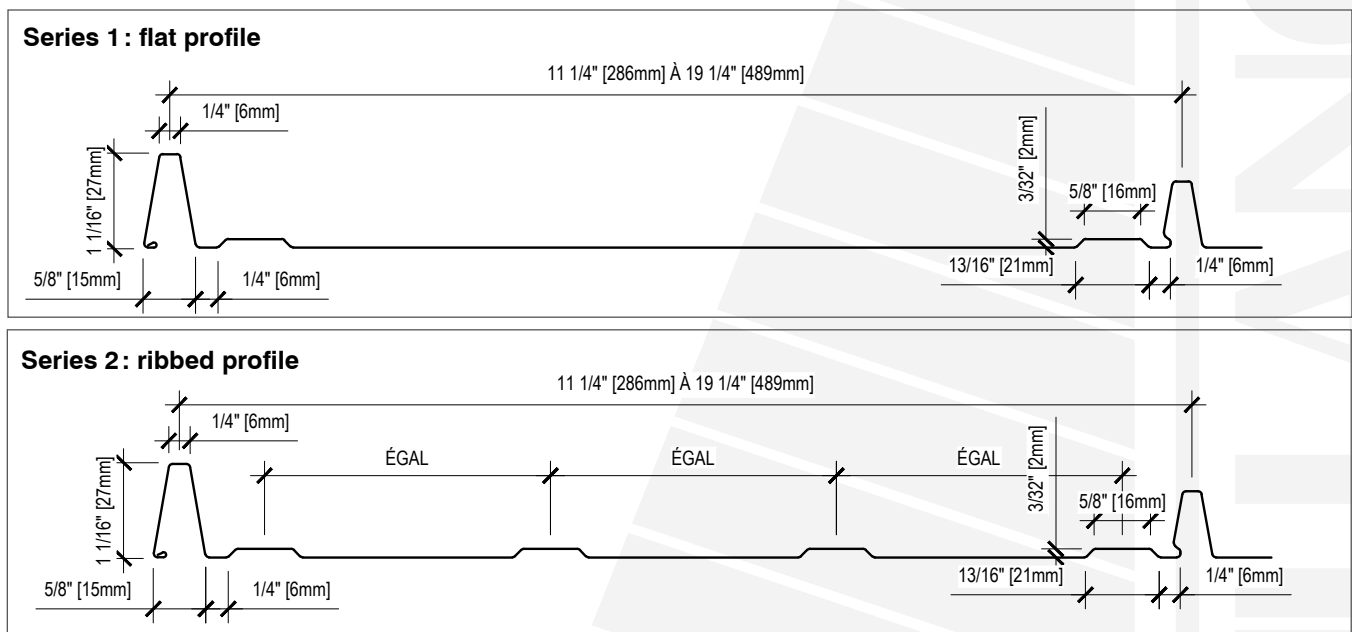
TECHNICAL SHEET

METAL ROOF AND WALL



DESCRIPTION

Architectural steel cladding system (traditional style) for roofs and walls without joints or visible fasteners. Our roofing system comes in two profile options : flat or ribbed.



APPLICATION

Each roofing and wall cladding panel is fixed with appropriate 25 mm (1 in) screws at distances varying between 600 and 1200 mm (24 and 48 in.), depending on the structure configuration. The bottom part is clipped to a starter molding and the top part is sealed in the appropriate molding. The longer side of the panel has an integrated crimp and an anti-siphon air gap. A sealant is recommended on the long side between the overlapping panels as well as at the top of each panel.

TECHNICAL SHEET

METAL ROOF AND WALL



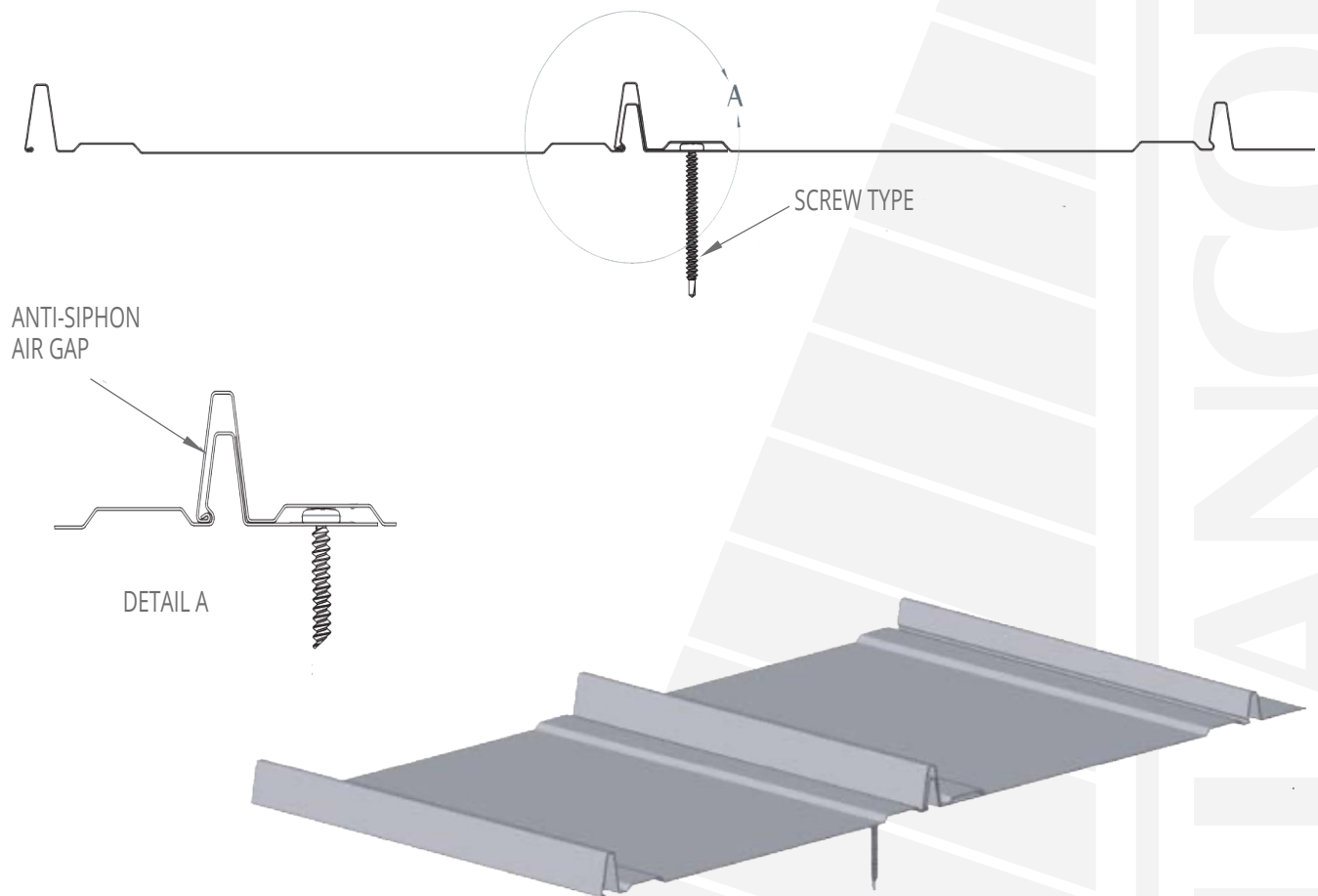
MATERIALS

Cladding panels :

- ♦ galvanized, Galvalume® or prepainted steel: 24 or 26 gauge
- ♦ copper: 16 oz or 20 oz

FIXING SYSTEM

- ♦ Vaillancourt recommends a self-tapping galvanized steel screw with a length of 25 mm (1") 10 gauge (4.72mm or 0.186") with a 11mm (0.435") diameter low profile pancake-style head.



STANDARDS

Galvanized Steel : ASTM A525, coating designation Z275 (G90)

Galvalume® Steel : ASTM A792 or A792M, coating designation AZM150 (AZ50) or AZ180 (AZ60)

TECHNICAL SHEET

METAL ROOF AND WALL



DIMENSIONS

Width: To adapt the construction site requirements and conditions, cladding panels can vary in width from 286 mm (11 1/4 in) to 489 mm (19 1/4 in).

Length: There is no limit to the length, as cladding panels can be fabricated directly on site.

SLOPE

Roof: This cladding roofing system can be installed on all type of roofs with a minimum slope of 3 / 12. Under certain conditions, it is possible to reduce the slope of the roof down to 1% with a preliminary study by the manufacturer.

The Quebec construction code authorizes profiled steel cladding for low slopes if installed in accordance with the manufacturer's written recommendations.

Wall: This cladding system can be installed on the wall, vertically or horizontally.

INSTALLATION

The steel cladding must be installed on a solid, continuous and uniform substrate.

Substrate recommended by Vaillancourt: plywood minimum thickness of 15.5 mm (5/8 in).

Waterproofing membrane: A waterproofing membrane must be installed full surface on the substrate before the installation of the metal coating.

Membrane recommended by Vaillancourt: self-adhesive and self-sealing membrane based on bitumen modified with SBS polymers with a thickness of 1 mm (40 mils). A high temperature type membrane having a high softening point is recommended under dark colored coatings.

COULEUR

Offered in standard colors from the Perspectra Plus® series charts (Arcelor Mittal Dofasco). Non-standard colors as well as the CoolR Environmentally Smart Colors series and the metallic series are subject to minimum quantities and delivery delays.

AVANTAGES

No visible joint, screws, perforation or fasteners.

GUARANTEE

Installation: 10 years (when installed accordingly to Vaillancourt recommendations and supervised by Vaillancourt on site).

Materials: 40 years.



TECHNICAL SHEET

METAL ROOF AND WALL



CURVED ROOF

DESCRIPTION

Seamless curved metal cladding system for roofs and walls. Available in concave or convex and twin or dome form, the curved roof matches the shape of any structure. Manufactured with our roll forming machine on site, the arched and profiled panels give a spectacular effect.

APPLICATION

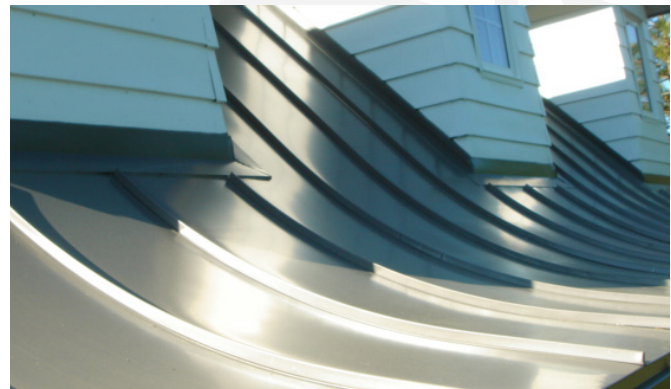
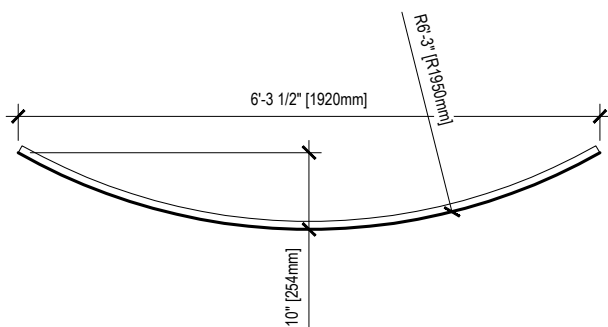
The position of the fixing system and the appropriate types of moldings will be determined and proposed according to the specific requirements of each project. Mandatory technical support on site.

CHARACTERISTICS

Having a specific upper radius for each shape, panels are adjustable too any part of a circle arc, whether concave or convex :

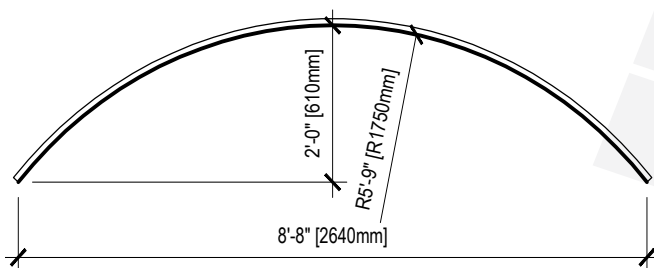
Concave :

Radius greater than 1950 mm (6 ft 3 in.) as shown below..



Convex :

Radius greater than 1750mm (5'9 ") as shown below.



TECHNICAL SHEET

METAL ROOF AND WALL



CLOSURE OF INTEGRATED CRIMPS

Typical closing method of integrated crimp for the bottom of metal panels.

Follow these steps :

